



Container nr. : 30001489

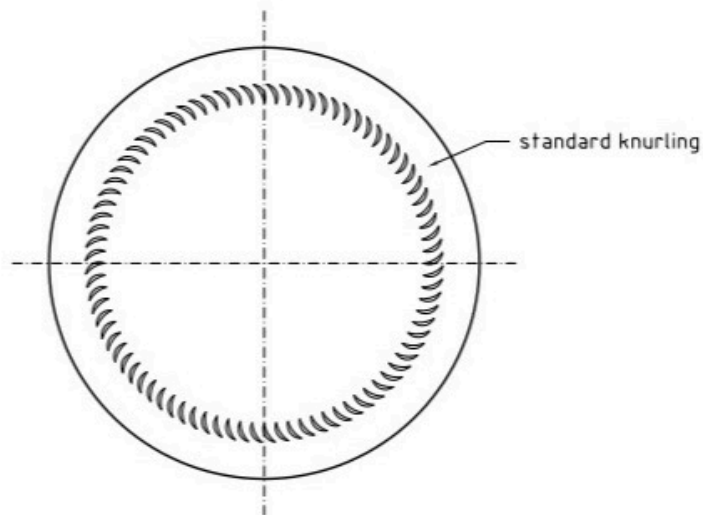
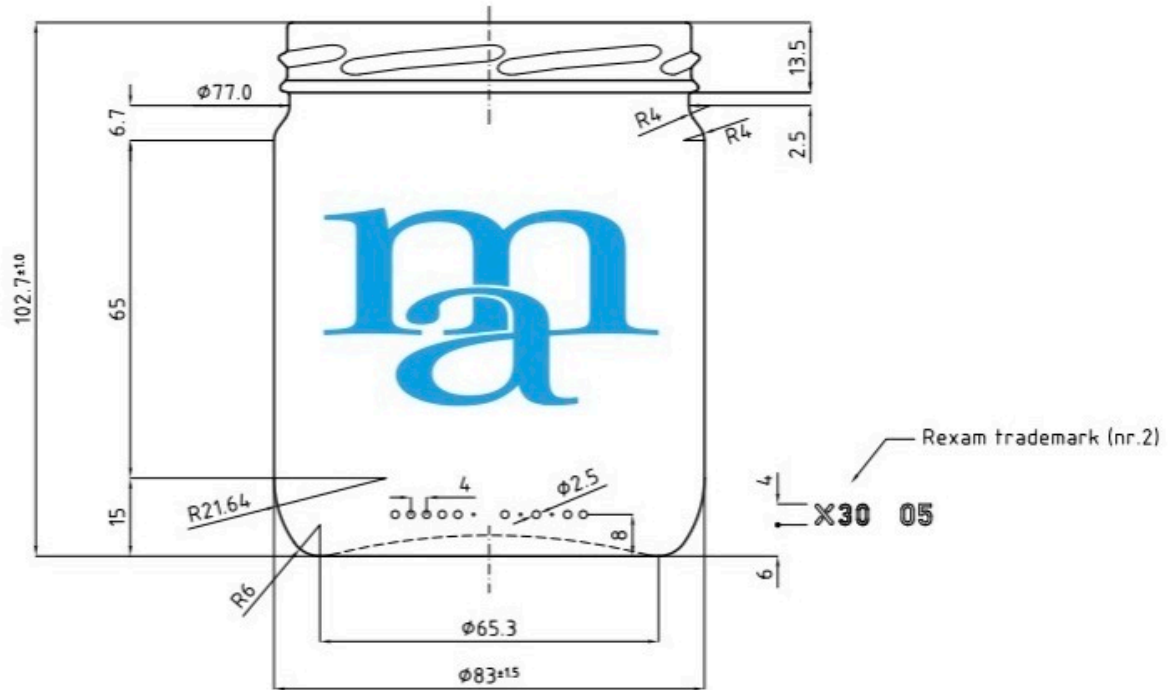
Description : Jar STD01_446_F1_82T0

Reference nr.

Mario Aiello s.r.l.

www.marioaiellosrl.com

4018



Brimfull cap. average : 446 ± 4.5 ml.	Gravitycentre (empty) : ca. 44.5 mm.	Colour : flint	A 24-03-'05	Weight adjusted (208 - 220 gr.)
Brimfull cap. individual : 446 ± 13 ml.	Critical speed (empty) : ca. 0.46 m/s	Project : 2004-95a	Date	Revisions
Design glass weight : ca. 220 gr.	Theor. tip angle : 40.3°	Designer : M.P.	44-0006 A	
Finish : 82 mm. twist-off (GME20.09)	Theor. wall thickness : ca. 2.5 mm.	Date : 06-10-04		
<input checked="" type="checkbox"/> Non-refillable <input type="checkbox"/> Refillable	Scale : 1:1 (on A3)			

Drawing number